

INTRODUCING THE FSF FENCE

FULLY
MODULAR
DESIGN

Manufactured entirely out of aluminium, FSF Fence will revolutionise the fencing market. Requiring very few components to achieve an effective and robust installation, the fire-safe A-Rated aluminium design will be catching the eyes of architects, developers and, of course, homeowners across the country.

Interlocking Aluminium Fencing



1200mm Interlocking Slats

Components include:

- 4 sizes of fence slats; 50mm, 100mm, 120mm & 150mm
- 2 or 4-way post to allow for changes in direction at corners
- Inner Post to be fixed to ground
- Inner Post Cover to hide the fixings from view
- Spacer Cover Strips
- Post Top Cap
- Retaining Clip to seal panels and secure them in place
- Fixings will be supplied

See the reverse for dimensions of the fence slat profiles, post cross section and post accessories.

3 Fence Slatted Sizes



NEW
MATCHING
GATE



50mm Fence Slats



100mm Fence Slats



150mm Fence Slats



FIRE SAFE FENCING

Features & Benefits



FIRE RESISTANT



ALL ALUMINIUM



RECYCLEABLE



MAINTENANCE FREE



ALL WEATHER



WATER RESISTANT

Aluminium is a non-combustible material, eliminating the risk of damage from fire.

FSF Fence achieves **A2-s1, d0** fire rating, proving its non-combustibility. The shift towards using non-combustible materials in recent years across the construction industry has underlined the importance of the choices we make in regard to the materials we use to prevent any costly future remediation.

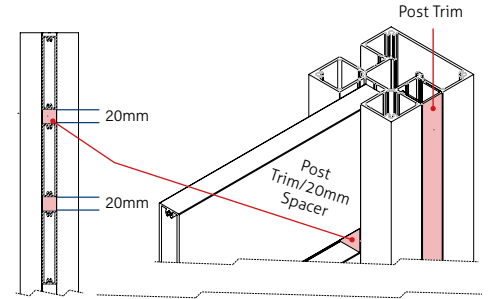
Among the drawbacks of wood in fence panels is its tendency to absorb moisture in rainfall. This causes them to expand and contract, gradually forcing their support panels to shift out of place and the panels to warp.

Aluminium, of course, is non-porous so does not absorb water, eliminating the fear of support panels shifting, warping or being dislodged.

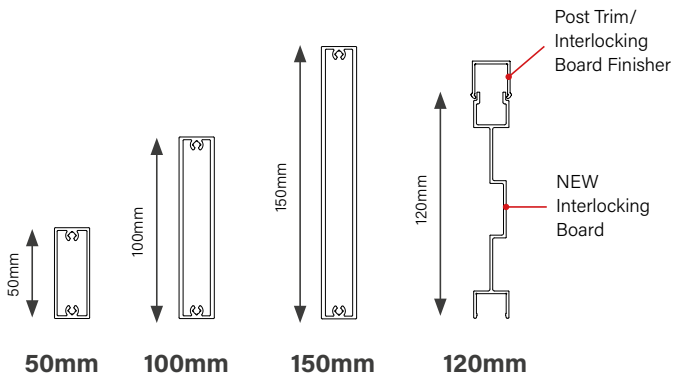
Colour & Design



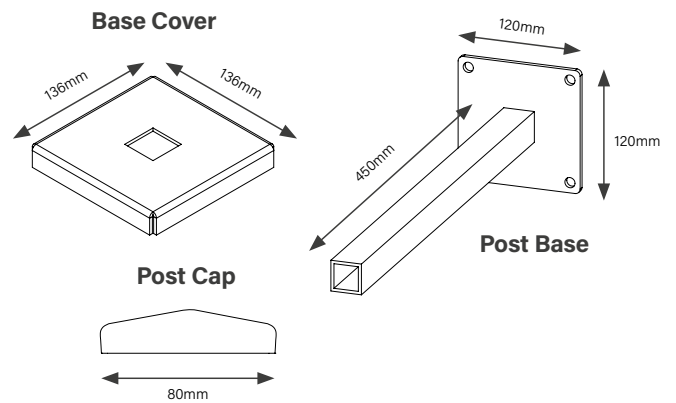
Post Cross Section



Slat Profiles



Post Accessories



**BUILD YOUR FENCE
YOUR WAY**



FIRE SAFE FENCING